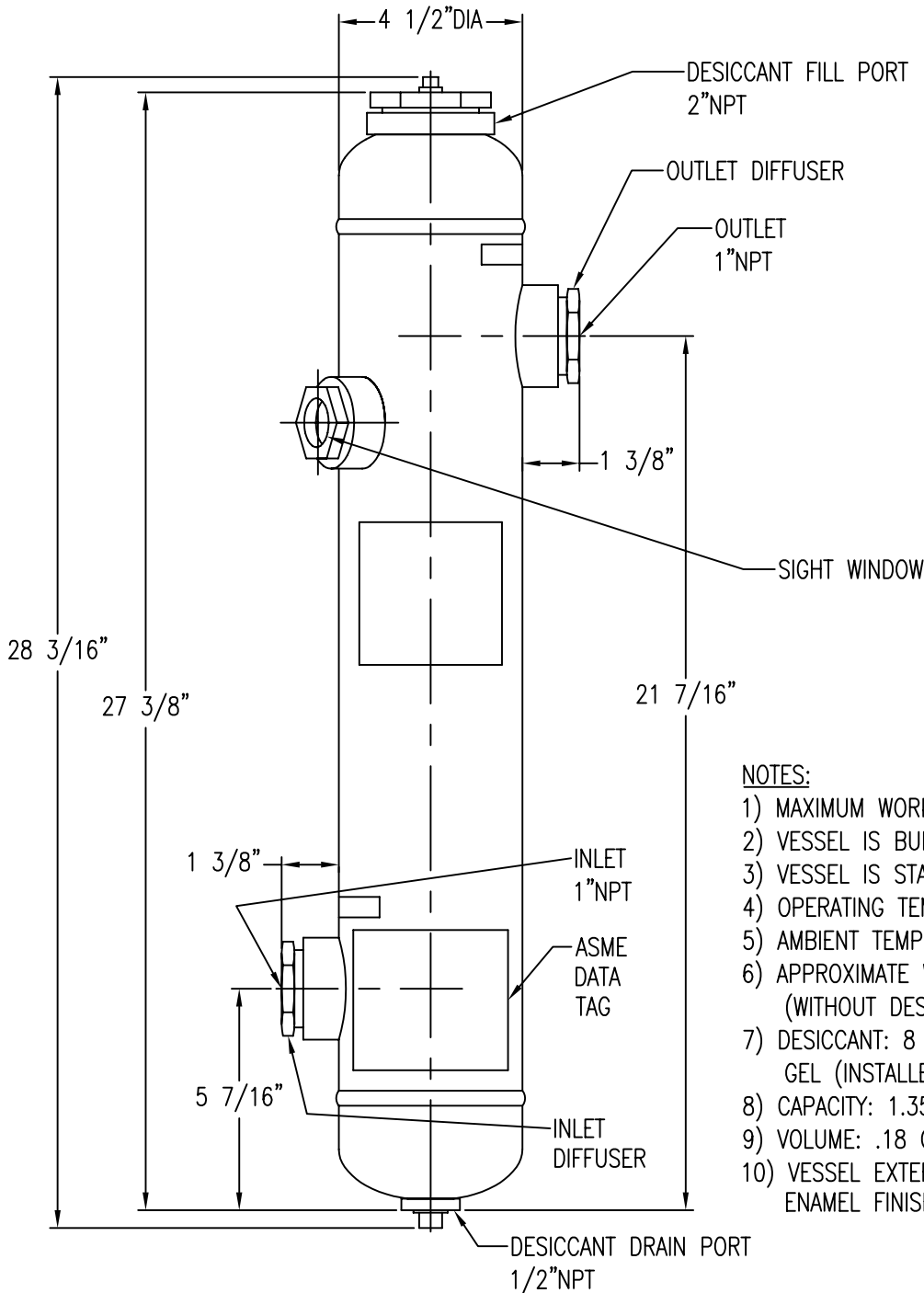
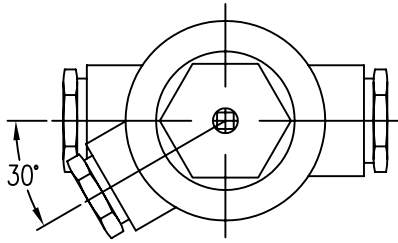


APP'L	DATE	LVL	ECN
	1/4/07	A	ECN825



NOTES:

- 1) MAXIMUM WORKING PRESSURE: 250 PSIG.
- 2) VESSEL IS BUILT TO ASME CODE PLUS CURRENT ADDENDA.
- 3) VESSEL IS STAMPED: "UM" SYMBOL.
- 4) OPERATING TEMPERATURE RANGE: 40°F TO 120°F.
- 5) AMBIENT TEMPERATURE RANGE: 40°F TO 120°F.
- 6) APPROXIMATE WEIGHT OF VESSEL: 30 LBS (WITHOUT DESICCANT).
- 7) DESICCANT: 8 LBS OF COLOR INDICATING SILICA GEL (INSTALLED).
- 8) CAPACITY: 1.35 GALLONS.
- 9) VOLUME: .18 CUBIC FEET.
- 10) VESSEL EXTERIOR IS COATED WITH ALKYD PRIMER AND WHITE ENAMEL FINISH.

PT #80-1364

THIS DRAWING IS THE PROPERTY OF

VAN AIR SYSTEMS

AND IS SUBJECT TO RETURN UPON REQUEST. IT SHALL NOT BE COPIED OR DUPLICATED IN ANY MANNER AND SHALL NOT BE SUBMITTED TO OUTSIDE PARTIES FOR EXAMINATION WITHOUT THE CONSENT OF VAN AIR SYSTEMS. IT SHALL BE USED FOR REFERENCE TO WORK UNDER CONTRACT OR PROPOSALS SUBMITTED BY VAN AIR SYSTEMS ONLY.

**INSTRUMENT DRYER
MD-35**

DRWN BY: JJK	DATE: 09-18-02	DRWG No.	REV
CHECKED:	SCALE: NONE	SD-13952	A
APP'L:	VAN AIR SYSTEMS		